



“Big Red”

T-360M / T-400M / T-450M

Taylor Industrial Trucks Standard Specifications

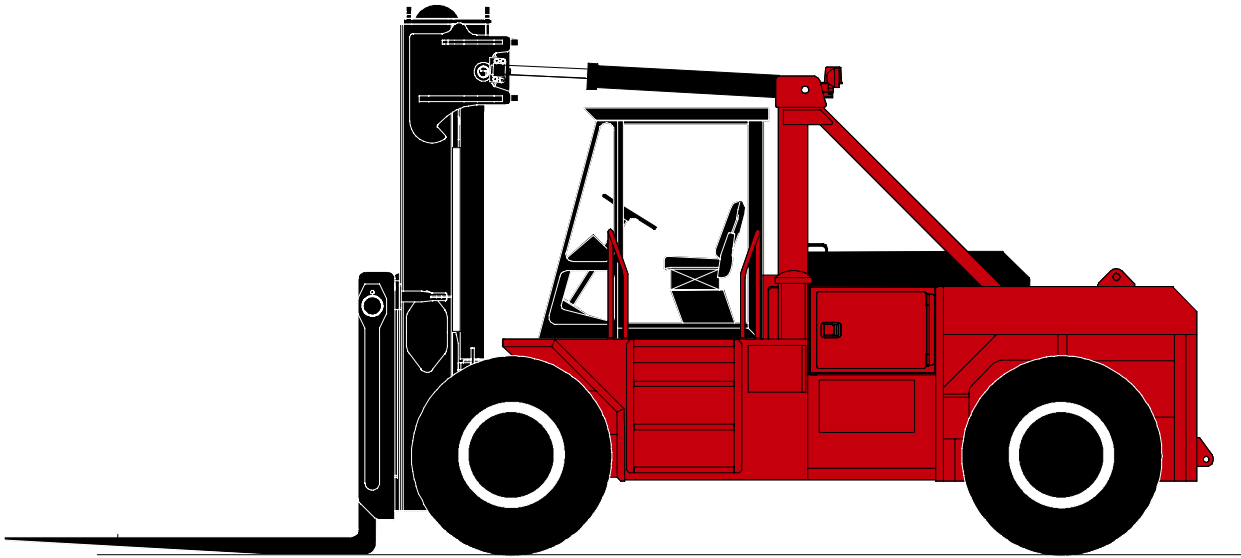
T-360M Rated Capacity 36,000-lbs. (16,330 kg)

T-400M Rated Capacity 40,000-lbs. (18,144 kg)

T-450M Rated Capacity 45,000-lbs. (20,412 kg)

36-in. (914 mm) Load Center

150-in. (3,810 mm) Wheelbase



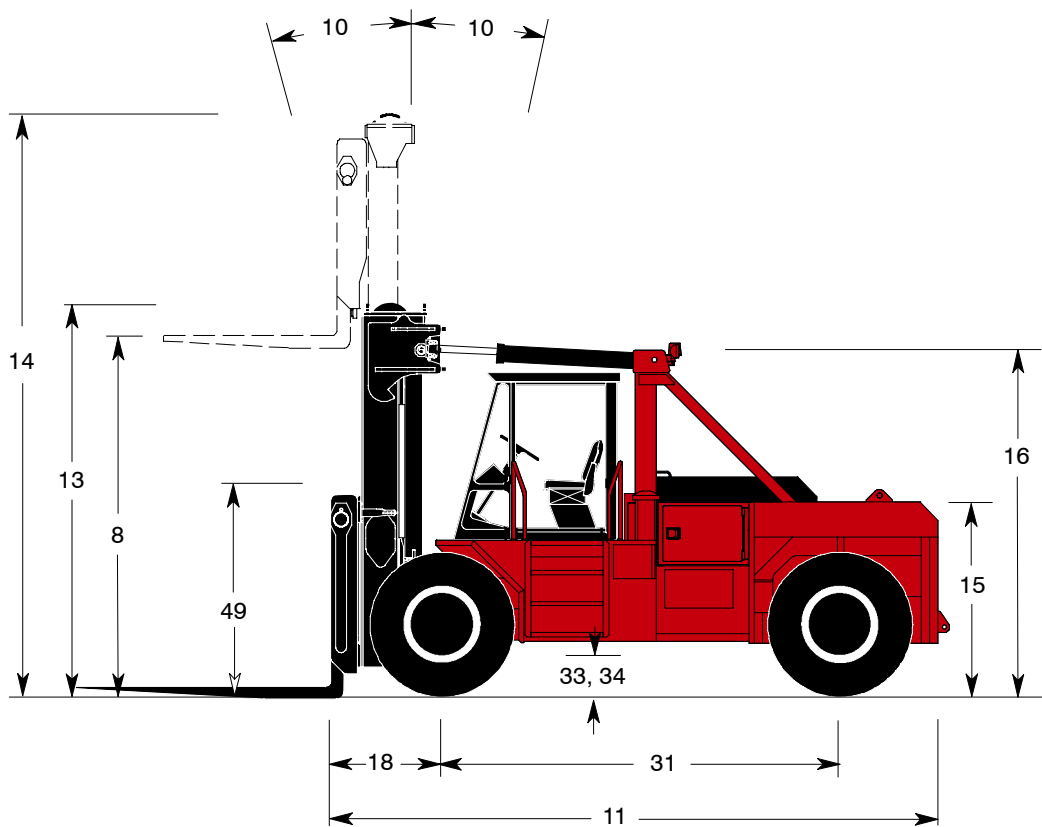
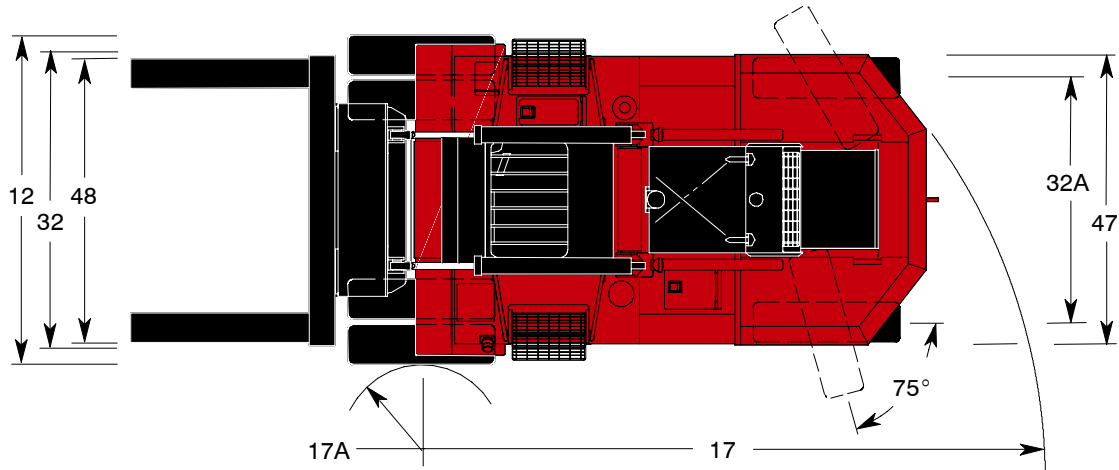
"Big Red" T-360M / T-400M / T-450M

GENERAL	1	Manufacturer	Manufacturer's Name	TAYLOR		TAYLOR		TAYLOR		
	2	Model	Manufacturer's Designation	T-360M		T-400M		T-450M		
				English	Metric	English	Metric	English	Metric	
	3	Capacity	Rated Capacity	lb (kg)	36,000	16,330	40,000	18,144	45,000	20,412
	4	Load Center	Distance	in (mm)	36	914	36	914	36	914
	5	Power Type	Gas, LPG, Or Diesel		Diesel		Diesel		Diesel	
	6	Tire Type	Cushion, Pneumatic Front / Rear		Pneumatic / Pneumatic		Pneumatic / Pneumatic		Pneumatic / Pneumatic	
	7	Wheels	Number (X = Driven) Front / Rear		4X / 2		4X / 2		4X / 2	
DIMENSIONS	8	Upright Lift	Standard Lift (Top Of Fork)	in (mm)	136.5	3,467	136.5	3,467	136.5	3,467
	9	Forks	Thickness	in (mm)	4.5	114	4.5	114	4.5	114
	9A		Width	in (mm)	8.5	216	8.5	216	8.5	216
	9B		Length	in (mm)	72	1,829	72	1,829	72	1,829
	10		Tilt Angle	Standard Upright - Forward / Backward	deg.°	15 / 10		15 / 10		15 / 10
	11	Overall Dimensions	Length To Face Of Forks	in (mm)	227.75	5,785	227.75	5,785	227.75	5,785
	12		Width (Standard Tires)	in (mm)	120	3,048	120	3,048	120	3,048
	13		Height, Standard Upright Lowered	in (mm)	155	3,937	155	3,937	155	3,937
	14		Height, Standard Upright Extended	in (mm)	221	5,613	221	5,613	221	5,613
	15		Height To Top Of Counterweight	in (mm)	72	1,829	72	1,829	72	1,829
	16	Turning Radius	Height To Top Of A-Frame	in (mm)	129	3,277	129	3,277	129	3,277
	17		Minimum Outside	in (mm)	213	5,410	213	5,410	213	5,410
	17A	Minimum Inside	in (mm)	16	406	16	406	16	406	
18	Load Distance	Center of Wheel To Face Of Forks	in (mm)	40.75	1,035	40.75	1,035	40.75	1,035	
19	Aisle Width	(Add Load Length For 90° Stacking)	in (mm)	253.75	6,445	253.75	6,445	253.75	6,445	
PERFORMANCE	20	Stability	Comply With ANSI?		Yes		Yes		Yes	
	21	Speeds	Travel Speed - Maximum Forward	mph (km/h)	15.8	25.4	15.7	25.3	15.7	25.3
	22		Lift Speed - No Load	fpm (m/s)	56	0.28	56	0.28	56	0.28
	22A		Lift Speed - With Load	fpm (m/s)	49	0.25	49	0.25	49	0.25
	23		Lowering Speed - No Load / With Load	fpm (m/s)	60	.3	60	.3	60	.3
	24	Drawbar Pull	Powershift (Maximum At Stall)	lb (kN)	35,690	159	35,630	159	35,555	159
25	Gradeability	Powershift (Maximum At Stall) No Load	%	32.2		30.5		28.6		
25A		Powershift (Maximum At Stall) With Load	%	42.2		38.5		34.8		
WEIGHT	26	Ttl. Apprx. Wt.	Standard Truck	lb (kg)	54,150	24,562	57,100	25,901	60,750	27,556
	27	Axle Loading	Static With Rated Load - Front	lb (kg)	82,200	37,286	88,265	40,037	95,820	43,464
	27A		Static With Rated Load - Rear	lb (kg)	7,950	3,606	8,835	4,008	9,930	4,504
	27B		Static With No Load - Front	lb (kg)	27,650	12,542	27,650	12,542	27,650	12,542
	27C		Static With No Load - Rear	lb (kg)	26,500	12,020	29,450	13,359	33,100	15,014
WHEELS / TIRES	28	Tires	Number - Front / Rear		4 / 2		4 / 2		4 / 2	
	29		Size - Front		14.00 x 25 - 20 PR		14.00 x 25 - 20 PR		14.00 x 25 - 20 PR	
	30		Size - Rear		14.00 x 25 - 20 PR		14.00 x 25 - 20 PR		14.00 x 25 - 20 PR	
	31	Wheelbase	Distance	in (mm)	150	3,810	150	3,810	150	3,810
	32	Tread	Center Of Outside (Dual) Tires - Front	in (mm)	104.5	2,654	104.5	2,654	104.5	2,654
	32A		Center Of Tires - Rear	in (mm)	91	2,311	91	2,311	91	2,311
	33	Ground Clearance	No Load At Lowest Point	in (mm)	12	305	12	305	12	305
	34		No Load At Center Of Wheelbase	in (mm)	18	457	18	457	18	457
	35	Brakes	Service / Parking - Method Of Control		Foot / Hand		Foot / Hand		Foot / Hand	
	36		Service / Parking - Method Of Operation		Air / Spring		Air / Spring		Air / Spring	
POWER UNITS / XMSN	37	Battery	Volts / Ampere Hours (2 Batteries)	V/Ah	12 / 2300		12 / 2300		12 / 2300	
	38	Internal Combustion Engine	Make / Model		Cummins QSC8.3-C230		Cummins QSC8.3-C230		Cummins QSC8.3-C230	
	39		Output - Intermittent Per SAE Standards	hp (kW)	230	172	230	172	230	172
	40		Governed Speed - With Load	rpm	2200		2200		2200	
	41		Cycle / Number Of Cylinders / Displacement	cu in (L)	4 / 6 / 506	4 / 6 / 8.3	4 / 6 / 506	4 / 6 / 8.3	4 / 6 / 506	4 / 6 / 8.3
	42	Clutch	Type		Declutch		Declutch		Declutch	
	43	Gear Change	Type		Hand		Hand		Hand	
	44	Transmission	Number Of Speeds - Forward / Reverse		3 / 3		3 / 3		3 / 3	
	45		Type		Powershift		Powershift		Powershift	
	46	Relief Press.	For Attachments	psi (bar)	1500	103	1500	103	1500	103
47	Width Across Counterweight	in (mm)	108	2,743	108	2,743	108	2,743		
48	Standard Fork Spread	in (mm)	100	2,540	100	2,540	100	2,540		
49	Ground To Top Of Carriage	in (mm)	76.5	1,943	76.5	1,943	76.5	1,943		
50	Load Moment	in-lbs (m-kg)	2,763,000	31,843	3,070,000	35,371	3,453,750	39,792		

† NOTE: Performance specifications are for trucks equipped as described on the back page of this specification sheet. Performance specifications are affected by the condition of the vehicle, its components, and the nature and condition of the operating area. If these specifications are critical, the proposed application should be discussed with your Taylor sales representative.

“Big Red” T-360M / T-400M / T-450M

Mast Dimensions (inches / millimeters)						
2-Stage ULTRA-VU Telescopic Mast	Optional Lift Height (8)		OAHL (13)		OAHR (14)	
	English	Metric	English	Metric	English	Metric
	136.5	3,467	155	3,937	221	5,613
	160.5	4,077	167	4,242	245	6,223
	184.5	4,686	179	4,547	269	6,833
	220.5	5,601	197	5,004	305	7,747



“Big Red” T-360M / T-400M / T-450M

Engine

Cummins QSC8.3-C230, 6-cylinder electronic turbocharged, charge air after cooled (air to air) diesel engine has 506 cu-in. (8.3 L) displacement, 4.49-in. (114 mm) bore x 5.31-in. (135 mm) stroke. Rated power 230-hp (172 kW) at 2200 rpm (all engine ratings are based on SAE standard ambient conditions). Maximum power of 250-hp (186 kW) at 2000 rpm. Peak torque is 800 ft-lbs. (1,085 N-m) at 1500 rpm. Emission certification: US EPA Tier III, Carb Tier III, EU Stage III.

Standard features are electronic diagnostic, maintenance monitor, fuel/water separator, engine/transmission protection system, fuel economy and reduced emissions.

Fuel tank capacity is 60 gallons (227 L).

Air Cleaner

Donaldson dry air cleaner with safety element and restriction indicator.

Cooling System

The coolant-recovery cooling system has an extra large down flow radiator for maximum efficiency. The wide fin spacing reduces dirt build-up and provides optimum engine cooling.

Electrical, Instrumentation, and Accessories

The one-piece instrument panel flips down for easy servicing and is pre-wired to accommodate heavy-duty accessories. All wiring is color coded.

The unit has a 12-volt electrical system. Standard equipment includes a key-type anti-restart ignition system, 2 heavy-duty batteries, 100-amp alternator, mechanical pressure gauges, electrical temperature gauges, reset circuit breakers, lighted instruments, horn, key-switch actuated amber strobe light, reverse-actuated warning alarm and tilt steering.

Gauges include fuel level, ammeter, hourmeter, air pressure, engine oil pressure, engine coolant temperature, transmission oil pressure, and transmission oil temperature. Lights included are seat belt light, low air light, parking brake light, and step lights.

Transmission

The three-speed, fully reversing, modulated, powershift transmission has declutch and electric shift control. Brakes behind declutch. The filler pipe dipstick and large, heavy-duty, oil filter are easily accessible. Separate air-to-oil cooler. The integrally built torque converter has constant mesh gear sets actuated by hydraulic clutch packs. An automatic powershift control is standard.

Drive Axle

The heavy-duty planetary type drive axle housing is welded to the frame.

Steer Axle

The single hydraulic cylinder design steer axle, with heavy-duty links from the cylinder ram directly to tapered roller bearing mounted spindles, has tapered wheel and kingpin bearings. All joints are sealed, can be lubricated, and never need adjusting.

Brake System

The force cooled, wet disc, air/hydraulic actuated, service brakes are mounted on the drive axle. The transmission is equipped with a spring-applied drum brake for parking.

Chassis

The all welded frame has an integral, sloped, counterweight and tubular A-frame. A spring-assisted hood and hinged doors provide easy access to service points.

The canopy is integral with the operator station base. The center mount operator station is standard (optionally, can be located offset to the left side of the vehicle). The tinted, unbreakable, Lexan top with steel crossbars provide maximum visibility and protection. The suspension seat with an operator seat belt is adjustable.

Hydraulic System

The 72 gallon capacity hydraulic tank has a spin-on tank breather, suction strainers, return line filters, and replaceable elements in the tank. The hydraulic system utilizes transmission-driven gear type pumps. The tilt lock valve prevents mast drift and reduces torsional stress. Dual lift cylinders have chrome-plated rods and self-adjusting packing. Control levers are conveniently located. Valves are controlled with hydraulic remotes.

Mast, Carriage, and Rollers

The 11-ft. (3.4 m) ULTRA-VU telescopic, nested-channel mast, with two nested, hidden multiple-leaf lift chains, is constructed of high-strength steel for minimal weight. The two lifting eyes and bolt-on caps permit safe, easy removal of the mast.

The “C” type carriage is high strength-to-weight ratio. The forks are pin-mounted and fully adjustable from 100-in. (2,540 mm) outside to 2-in. (51 mm) inside the center brace.

Main rollers and chain rollers have shielded, tapered, roller bearings. The carriage side wear pads are adjustable to compensate for wear. All rollers can be lubricated.

Forks

The forks are hammer forged from heat treated alloy steel. Standard size: 4.5-in. x 8.5-in. x 72-in. (114 mm x 216 mm x 1,829 mm).

This vehicle is certified to meet the applicable design and performance criteria required for Powered Industrial Trucks in OSHA Safety and Health Standards, Title 29 CFR, Part 1910.178, and the applicable design and performance requirements in ANSI B56.1 that were in effect at the time of manufacture. These standards also apply to the user and should be adhered to while operating this vehicle.

All specifications are subject to change without notice. Some operating data may be affected by the condition of the operating area. If these specifications are critical, contact the factory.