

## **“Big Red” TXC-976**

---



### **Loaded Container Handlers Preliminary Specifications**

Rated Capacity At 97-in. (2,464 mm) Center Of Load

80,000-lbs. (36,288 kg) / 2-high Stacking

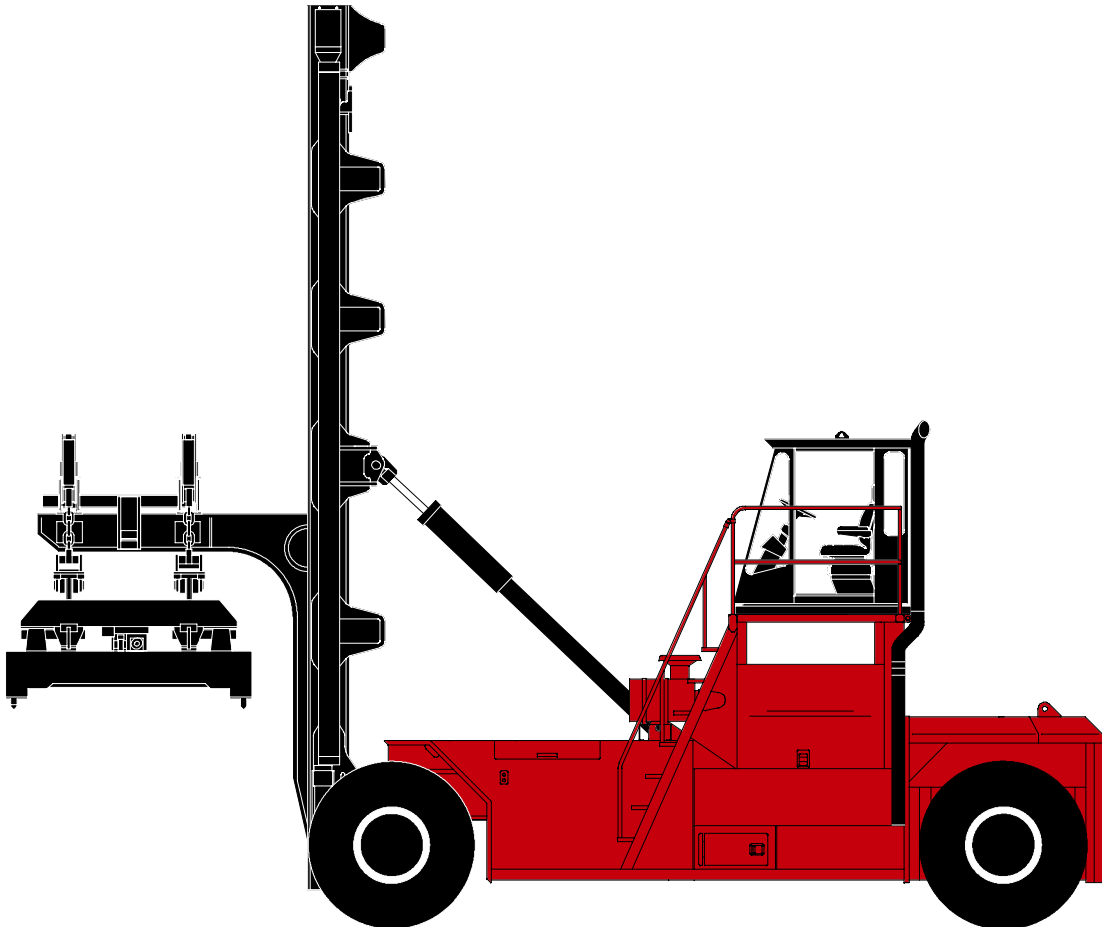
75,000-lbs. (34,020 kg) / 6-high Stacking

Rated Capacity At 106-in. (2,692 mm) Center Of Load

75,000-lbs. (34,020 kg) / 2-high Stacking

70,000-lbs. (31,752 kg) / 6-high Stacking

236-in. (5,994 mm) Wheelbase

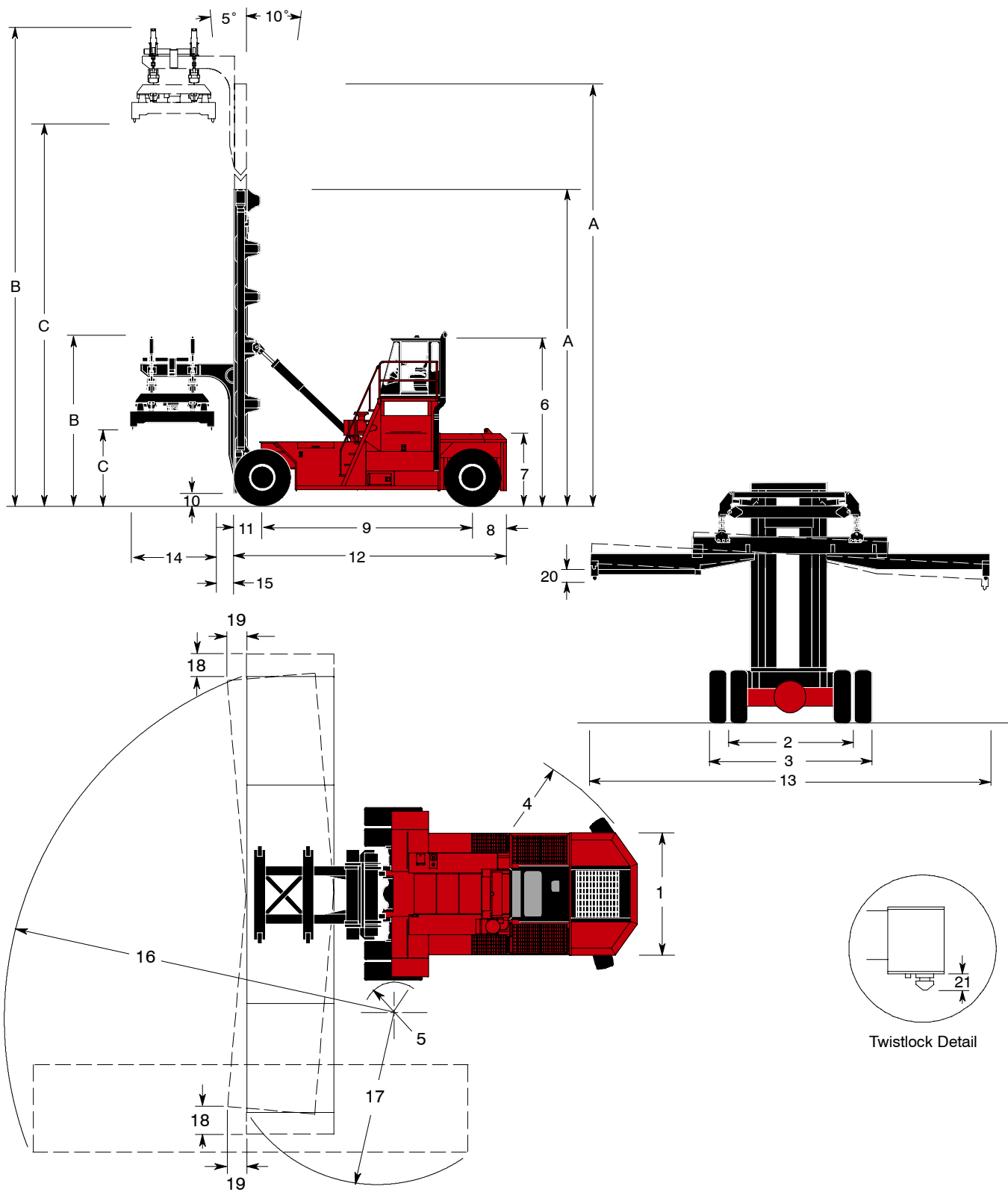


# “Big Red” TXC-976

Manufacturer's Name		TAYLOR				
Manufacturer's Designation		TXC-976				
		English		Metric		
		51.5-ft. (15.6 m) Mast				
Rated 2-high Stacking Cap. At 97-in. (2,464 mm) Ctr. Of Load (Ctr. of Load To Ctr. of Axle)	lb (kg)	80,000		36,288		
Rated 6-high Stack. Cap. At 97-in. (2,464 mm) Ctr. Of Load (Ctr. of Load To Ctr. of Axle)	lb (kg)	75,000		34,020		
Rated 2-high Stacking Cap. At 106-in. (2,692 mm) Ctr. Of Load (Ctr. of Load To Ctr. of Axle)	lb (kg)	75,000		34,020		
Rated 6-high Stack. Cap. At 106-in. (2,692 mm) Ctr. Of Load (Ctr. of Load To Ctr. of Axle)	lb (kg)	70,000		31,752		
Load Moment With Attachment And 80,000-lbs. (36,288 kg) Rating	in-lb (m-kg)	7,760,000		89,406		
Tractive Effort At Stall	lb (kN)	43,280		193		
Vehicle Weight - Empty	Drive Axle	117,460		53,280		
	Steer Axle	60,000		27,215		
Vehicle Weight - Loaded	Drive Axle	230,340		104,482		
	Steer Axle	27,100		12,293		
Gradeability At 0.9 Coef.	Empty	35				
	Loaded	14				
Grade Clearance	Center Of Truck	30				
	Rear Overhang	58				
Tires	Drive	21.00 x 25 - 32 PR				
	Steer	18.00 x 25 - 32 PR				
<b>Machine Dimensions</b>						
1 - Width Across Counterweight	in (mm)	136		3,454		
2 - Tread Width, Drive Axle	in (mm)	151.5		3,848		
3 - Width Over Drive Tires	in (mm)	203		5,156		
4 - Outside Turn Radius (Tailswing)	in (mm)	308		7,823		
5 - Inside Turn Radius	in (mm)	11.25		286		
6 - Height To Top Of Overhead Guard / Cab	in (mm)	188		4,775		
7 - Height To Top Of Counterweight	in (mm)	78		1,981		
8 - Steer Axle CL To Rear Of Counterweight	in (mm)	38.7		983		
9 - Wheelbase	in (mm)	236		5,994		
10 - Underclearance	in (mm)	16.5		419		
11 - Drive Axle CL To Face Of Tire (E3)	in (mm)	35		889		
12 - Overall Length To Face Of Tire	in (mm)	309.6		7,864		
Operator Eye To Ground (Cab Elevated Center Mount)	in (mm)	171		4,343		
<b>Attachment Dimensions</b>		<b>20-ft. (6.1 m) Container</b>		<b>40-ft. (12.2 m) Container</b>		
13 - Length Of Attachment (Nominal)	Expanded	in (mm)	–	–	480	12,192
	Retracted	in (mm)	238	6,045	–	–
14 - Width Of Attachment (Nominal)	in (mm)	96		2,438		
15 - Face Of Tire (E3) To Side Of 8-ft. (2.4 m) Wide Container	Minimum	in (mm)	14		356	
	Maximum With Reach	in (mm)	23		584	
16 - Turn Radius, Far Corner (Retracted)	in (mm)	272	6,909	380	9,652	
17 - Turn Radius, Near Corner (Retracted)	in (mm)	144	3,658	192	4,877	
18 - Sideshift ±	in (mm)	12		305		
19 - Reach, Each End	in (mm)	9		229		
19A - Slewing, 9.5° Either End	in (mm)	21.5	546	43	1,092	
20 - Pile Slope, 3° End To End (Non-powered, Not illustrated)	in (mm)	12	305	24	610	
20A - Optional 3° Hydraulic Pile Slope Feature, Each End (Illustrated)	in (mm)	12	305	24	610	
Total Slope 5° Achievable With Hyd. Pile Slope and Structural Clearance	in (mm)	20.9	530.9	41.8	1062	
21 - Length Of ISO Twistlock Below Attachment (Nominal)	in (mm)	4		102		
<b>Travel And Lift Speeds</b>		<b>Empty</b>		<b>Loaded</b>		
Travel Speed (Max) - Forward And Reverse	mph (km/h)	14.9	24	14.3	23	
Lift Speed	Loaded	fpm (m/s)	48	.24		
	Empty	fpm (m/s)	60	.30		
Lowering Speed	fpm (m/s)	60		.30		
<b>Mast Upright Dimensions</b>		<b>Minimum</b>		<b>Maximum</b>		
A - Height Of Mast	in (mm)	419.5	10,655	728.5	18,504	
B - Height To Top Of Carriage, Add 8.0-in. (203 mm) If Equipped With Optional Pile Slope	in (mm)	183.5	4,661	801.5	20,358	
C - Height To Tip Of Twistlock	in (mm)	84	2,134	702	17,831	

**NOTE:** Performance specifications are for machines equipped as described on the back page of this specification sheet. Performance specifications are affected by the condition of the vehicle, its components, and the nature and condition of the operating area. If these specifications are critical, the proposed application should be discussed with your Taylor sales representative.

# "Big Red" TXC-976



# “Big Red” TXC-976

## Engine

Cummins QSM11-C335 electronic turbocharged, charged air aftercooled (air to air) diesel engine. Rated power of 335-hp (250 kW) at 2100 rpm. Maximum power of 365-hp (272 kW) at 1800 rpm. The 4-cycle in-line 6 cylinder engine has 660 cubic in. (10.8 liter) displacement. The bore is 4.92 in. (125 mm) x 5.79 in. (147 mm) stroke. Peak torque is 1235 ft.-lbs (1674 N-m) at 1400 rpm (SAE J1349). This peak torque is maintained from 1000 to 1400 rpm. Emission certification: US EPA Tier III, Carb Tier III, EU Stage III. Engine has fuel cooler.

The fuel tank capacity is 240 gallons (910 L).

## Air Cleaner

The 2-stage, heavy-duty, dry air cleaner with restriction indicator is easily serviced.

## Cooling System

The deaeration tank, with a sight gauge for checking coolant level, provides optimum engine cooling.

## Electrical, Instrumentation, and Accessories

The one-piece instrument panel is pre-wired to accommodate heavy-duty accessories and flips down for easy servicing. All wiring is color coded.

The unit has a 12-volt electrical system. Standard equipment includes a key-type anti-restart ignition system, two 220-amp-hour batteries, 160-amp alternator, main battery disconnect switch, thermal reset circuit breakers, tilt steering, front and rear electrical windshield wipers, and cab access step lights.

Eight worklights (four front, two rear, two on the attachment), key-switch actuated amber strobe light, forward alarm, reverse-actuated warning alarm, rear-view mirror, 118 Dbz electric horn, and TICS display attachment twistlock signal lights are standard.

All machine controls are Taylor Integrated Control Systems (TICS) using J1939 CANbus technology. This allows controllers and sensors to communicate with minimal wiring between the components. I/O modules are used to eliminate electromechanical relay devices and add reliability to the machine control system. J1939 CAN bus technology allows all machine data to be accessed through the main color display located in the cab. This display shows engine data along with warnings, and man/machine interface data. All twistlock proximity switches can be checked through the TICS system for complete diagnostics. The display allows service personnel to access data needed during troubleshooting (such as sensor status and controller outputs). Machine functions can be tuned through the main display in the cab. Tuning functions are password protected to prevent operator access.

## Transmission

The three-speed, fully reversing, modulated, powershift transmission has electric declutch and brakes behind the declutch feature and an electric shift control with automatic powershift control. The filler pipe dipstick and large, heavy-duty oil filter are easily accessible. Separate air-to-oil cooler. The integrally built torque converter has constant-mesh gear sets actuated by hydraulic clutch packs.

## Drive Axle

The high-capacity, wide stance, planetary drive axle's housing is bolted to the frame.

## Steer Axle

The single-cylinder steer axle design with tapered wheel and kingpin bearings is fully sealed and never needs adjusting.

## Brake System

The internal force-cooled, wet disc, service brakes are hydraulically - actuated and utilize a pedal to combine

transmission declutch / disconnect with brake actuation and a separate pedal for brake actuation. The drive-line brake is spring applied for parking.

## Power Steering

The hydrostatic steering system provides constant response at all engine speeds.

## Chassis

The all-welded frame has an integral, sloped counterweight. Hinged doors provide easy access to all service points. The elevated, center mount operator and overhead guard with 2-door cab, tilts rearward to aid in engine removal. The cab includes one 40,000 BTU heater, one circulation fan, front and rear windshield wipers, front windshield washer, dome light, all glass tinted, door hold back latches with trip handles, grey insulation, and black floor mat inside cab. Cab color black only. The adjustable, cloth covered air suspension seat with arm rest and orange seat belt is standard. 10° tilting Cab.

## Hydraulic System

The large capacity hydraulic tank has a spin-on tank breather, dual wire-mesh strainers, and a full-flow, 10-micron, return-line filter with a replaceable element in the tank. Tank refill is 200 gallons (757 L).

The variable displacement pumps are converter driven. Control valves are separate, stacked, spool-type. The tilt-lock valve prevents mast drift and torsional stress. An accumulator is standard.

The self-aligning, bearing-mounted, lift cylinders have chrome plated rods and self-adjusting packing. The electric multi-function joystick and accessory controls are conveniently located. The lift and tilt valves are electrically controlled; all other functions are controlled with electric switches.

## Mast, Carriage, and Rollers

The 51.5-ft. (15.6 m) ULTRA-VU mast on the TXC-976 is a telescopic, nested-channel mast with two multiple-leaf lift chains and is constructed of high-strength steel for minimum weight. Two lifting eyes and bolt-on caps permit safe, easy removal.

The carriage and attachment are also constructed of high-strength steel.

Carriage side wear pads are adjustable to compensate for wear. All rollers can be lubricated.

## Container Attachment

Expandable, suspended-type container handling attachment for handling loaded 20' through 53' (6.1 m through 16.1 m) ISO containers in widths of 8-ft. (2.4 m) and 8-ft. 6-in. (2.6 m) with a maximum weight of 80,000-lbs (36,288 kg). Includes all hydraulics, electrical circuitry, and twistlock engagement electrical signal lights in cab. The attachment has 24-in. (610 mm) of side shift total 12-in. (305 mm) in each direction, 5° of slew on each end, 9-in. (229 mm) of reach on each side of the attachment, and 3° of non-powered pile slope. Containers more than 40-ft. (12.2 m) long must have the standard 40-ft. (12.2 m) ISO pickup points. Controls in the cab energize valves on the attachment to operate side shift, twistlocks, automatic 20-ft. and 40-ft. (6.1 m and 12.2 m) frame positioning, and left and right hand slew. A twistlock safety interlock system ensures correct locking procedure. Signal lights are amber, green, and red. Two worklights are standard. Double stack guide arms set for 8-ft. 6-in. (2.6 m) wide containers are standard.

This vehicle is certified to meet the applicable design and performance criteria required for Powered Industrial Trucks in OSHA Safety and Health Standards, Title 29 CFR, Part 1910.178, and the applicable design and performance requirements in ANSI B56.1 that were in effect at the time of manufacture. These standards also apply to the user and should be adhered to while operating this vehicle.

All specifications are subject to change without notice. Some operating data may be affected by the condition of the operating area. If these specifications are critical, contact the factory.

## Taylor Machine Works, Inc.

650 North Church Avenue  
Louisville, Mississippi 39339-2017  
Phone (662) 773-3421 Fax (662) 773-9146

HD (6/08)  
Printed in U.S.A.